

**BUTIS**Research-and-Production
EnterpriseRadio-frequency
and SAW Filters**Phone:** (495)411-96-08**Fax:** (495)411-96-09121357, Moscow
Vereyskaya 29**E-mail:** butis.m@ru.net**Web:** www.butis-m.ru

SAW Filter FP3P7-545

Name: Saw Filter 30 MHz band width 3,6 MHz**Part number:** FP3P7-545**Technical conditions:** РСИТ.433561.046 ТУ**Package:** DIP 15

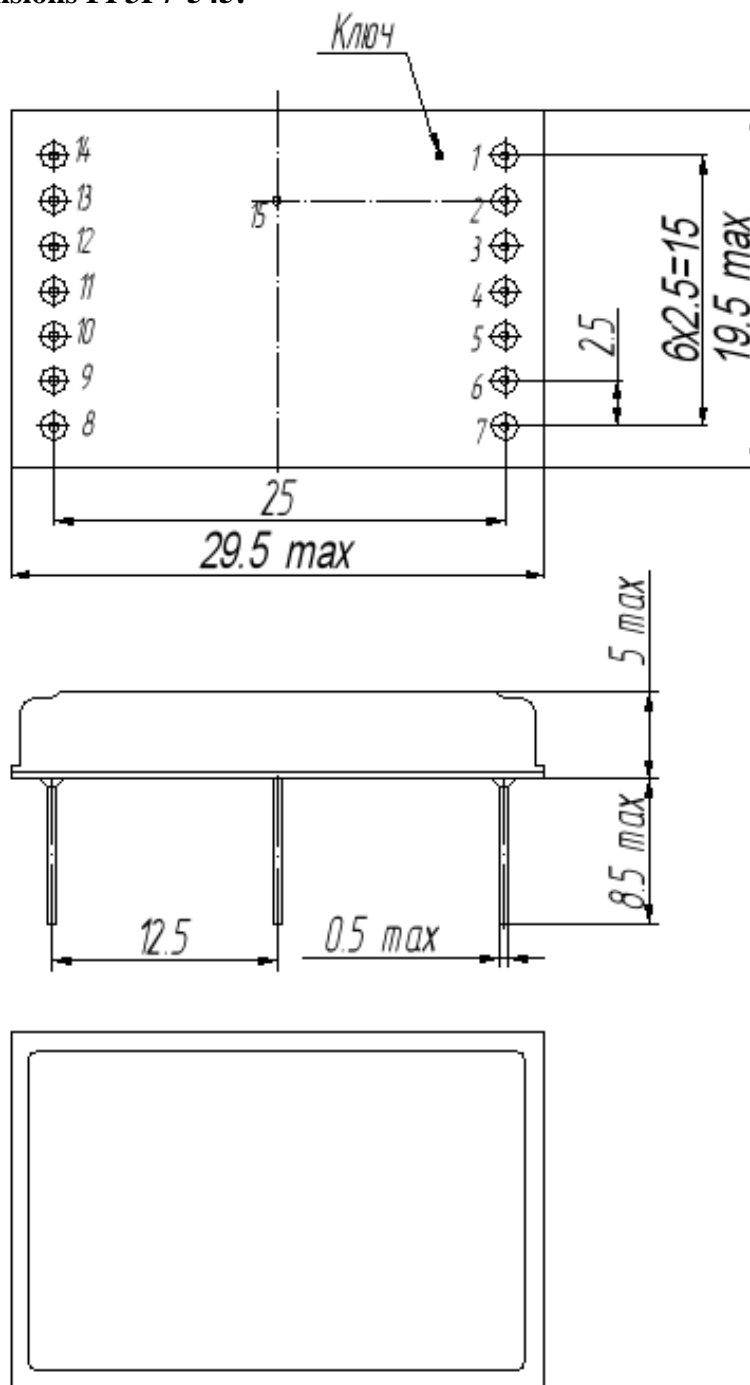
1. Specification FP3P7-545

Параметр	Ед.	Знач.
Center Frequency F_0	MHz	30
Bandwidth -3 dB , max	MHz	$\pm 1,8$
Insertion Loss within band width, max	dB	13
Amplitude ripple within 28,8-31,2 MHz, max	dB	1,0
Attenuation, min		
5 - 26 MHz	dB	45
34 – 120 MHz		45
Weight, max	g	10
Length x Width x Height, max	mm	29,5x19,5x5,0
Temperature coefficient of frequency	Ppm	-76

- Maximum Input Power 4 V
- Source and Load Impedance $50 \pm 5\% \Omega$



2. Package Dimensions FP3P7-545:



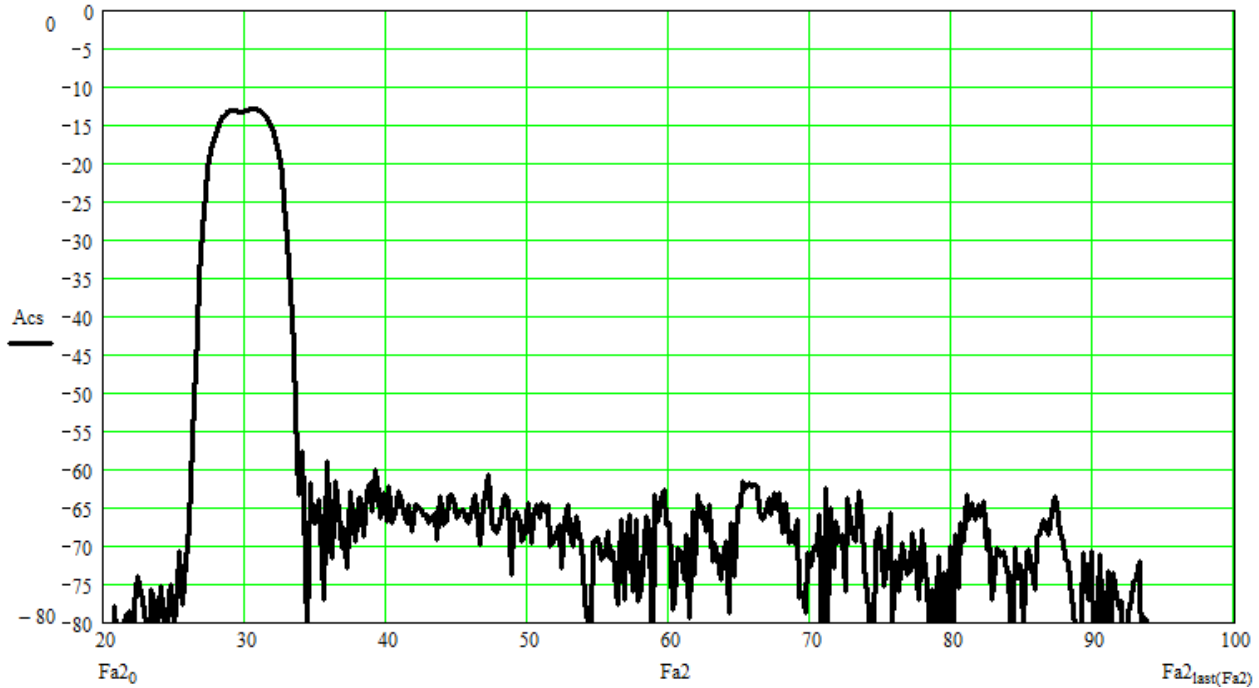
1 – In 8 - Out

3,4,7,10,11,14,15 – Ground.



3. Frequency Characteristics FP3P7-545 ($F_0 = 30 \text{ MГц}$):

$|S_{21}|$, dB



$|S_{21}|$, dB

