

A. MAXIMUM RATING:

1. Operating temperature range: -55°C to 125°C
2. Storage temperature range: -55°C to 125°C
3. Input Power Level : 10 dBm
4. Maximum DC Voltage : 10V

RoHS Compliant
Lead free
Lead-free soldering

Electrostatic Sensitive Device

B. Characteristics :

1. Ambient Temperature: 25 °

Item	Unit	Min.	Type.	Max.
Center frequency, Fc	MHz	-	153.52	-
Insertion Loss, IL	dB	-	10	12
1dB Band Width	MHz	20	22	
40dB Band Width	MHz		27.8	29
Amplitude Ripple Fc+/-9.0MHz	dB	-	0.5	1.0
Group Delay Ripple Fc+/-9.0MHz	ns	-	55	200
Absolute Group Delay at Fc	us	-	0.75	1.60
Attenuation (Reference level from minimum Insertion loss)				
Fc - 15 MHz	dB	40	43	-
Fc + 15 MHz	dB	35	43	-
Fc +/- 24 MHz	dB	43	45	-
Temperature Coefficient	ppm/°C	-	-94	-
Source Impedance	Ohm	-	200	-
Load Impedance	Ohm	-	200	-

C. Frequency Characteristics :

(1) Wide band Response:(span 200MHz)

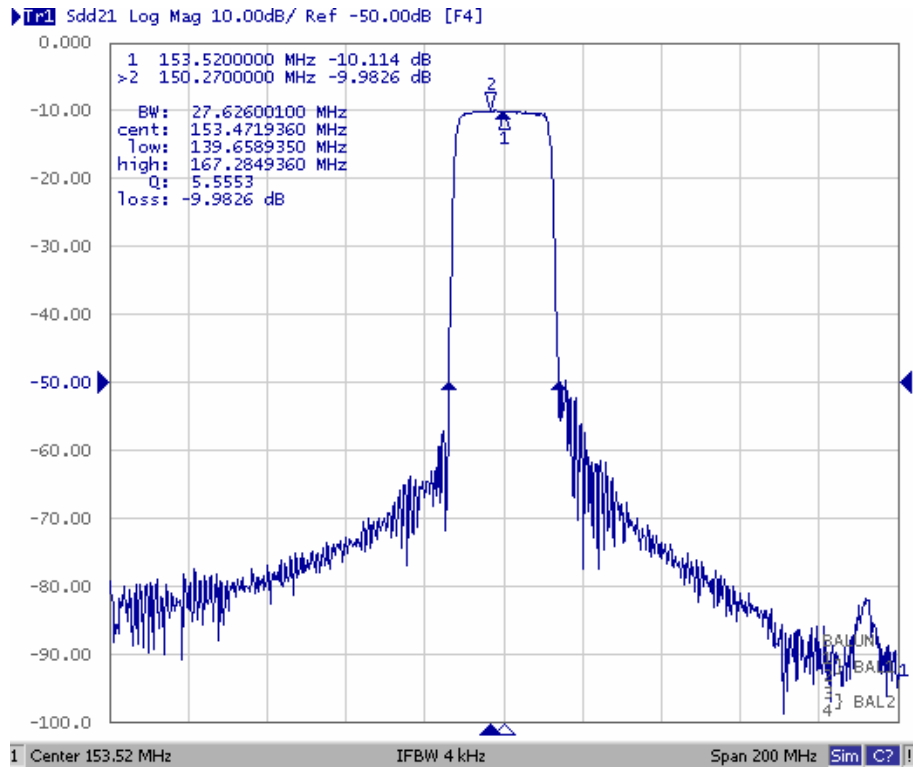


Fig1. Horizontal: 20MHz/Div Vertical: 10dB/Div

(2) Pass band Response and Group Time Delay response:

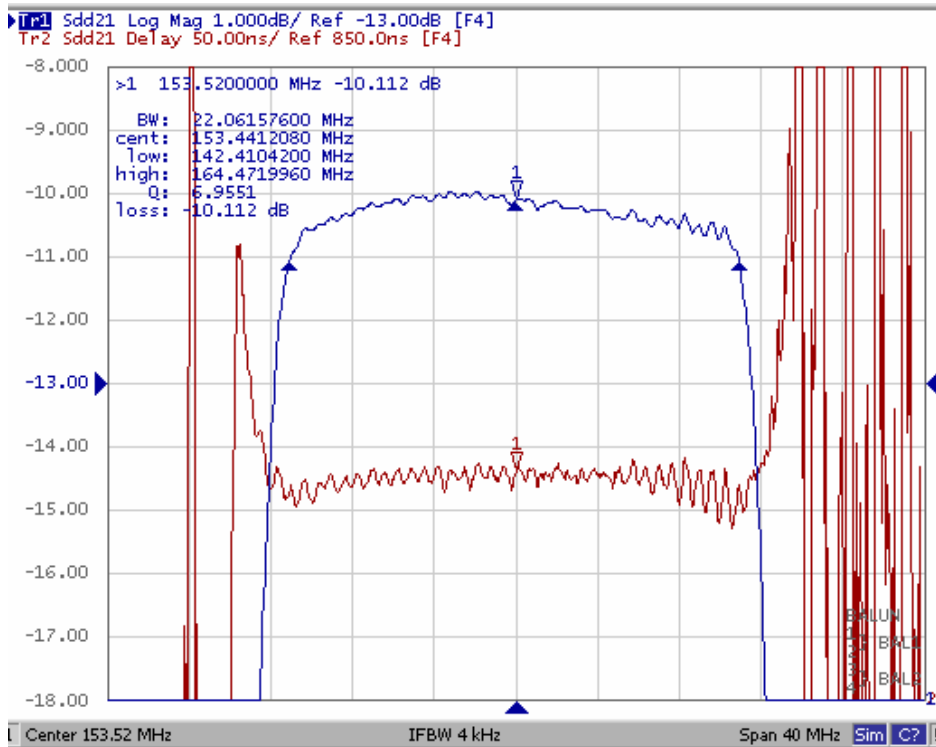
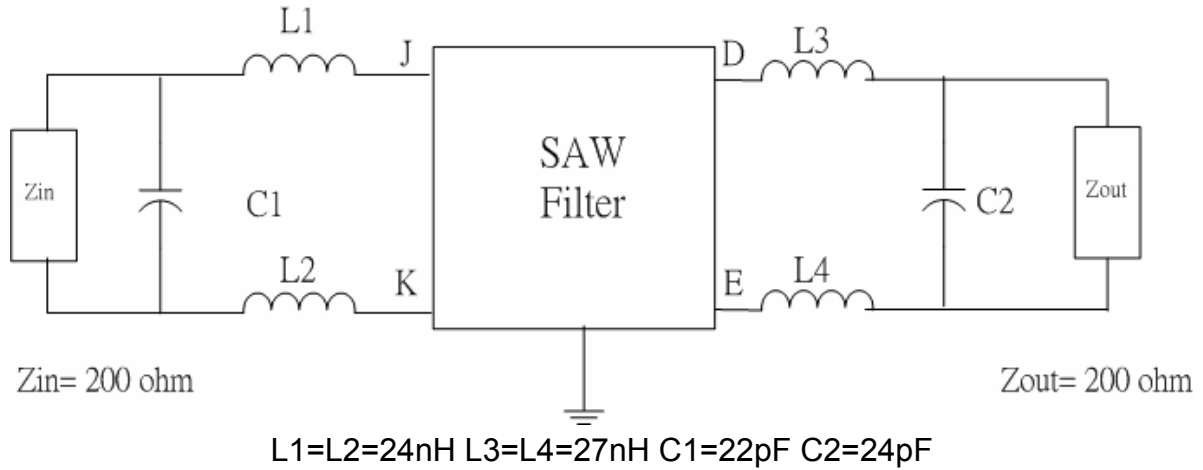
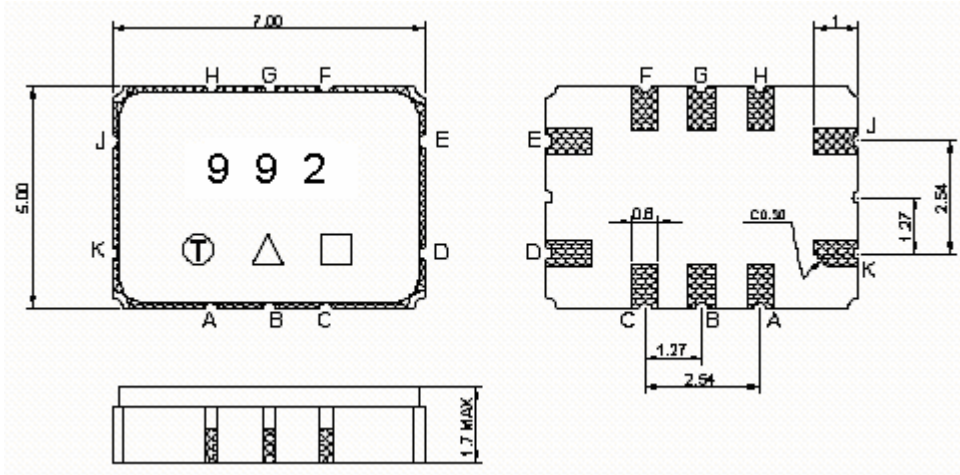


Fig2. Horizontal: 4MHz/Div Vertical: 1dB/Div
Vertical: 50ns/Div

D. Matching Circuit:



E. Outline Drawing:



- Pin J –RF input
- Pin K –RF balance input or to be ground
- Pin D –RF output
- Pin E –RF balance output or to be ground
- Pin A,B,C,F,G,H - Ground

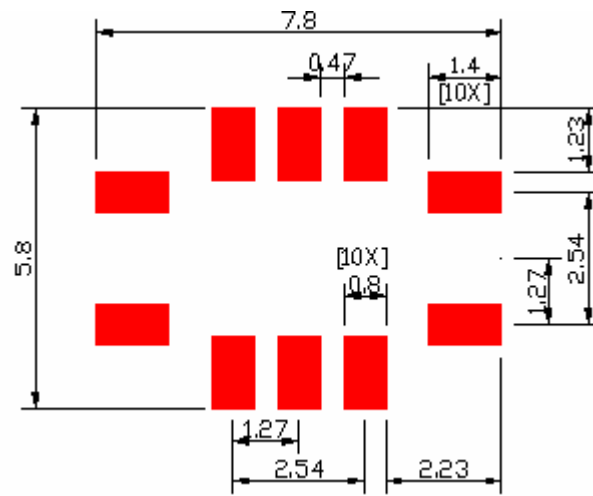
□ : Week Code (Follow the table from planner each year)

Unit : mm

△ : Product / Year Code

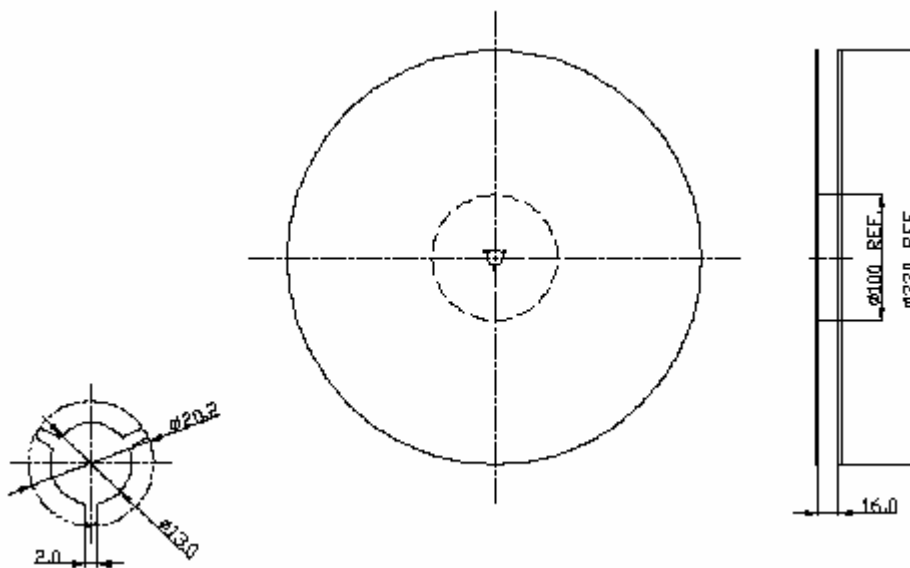
Year	2009 2013	2010 2014	2011 2015	2012 2016
Product Code	B	b	<u>B</u>	<u>b</u>

F. PCB Footprint:

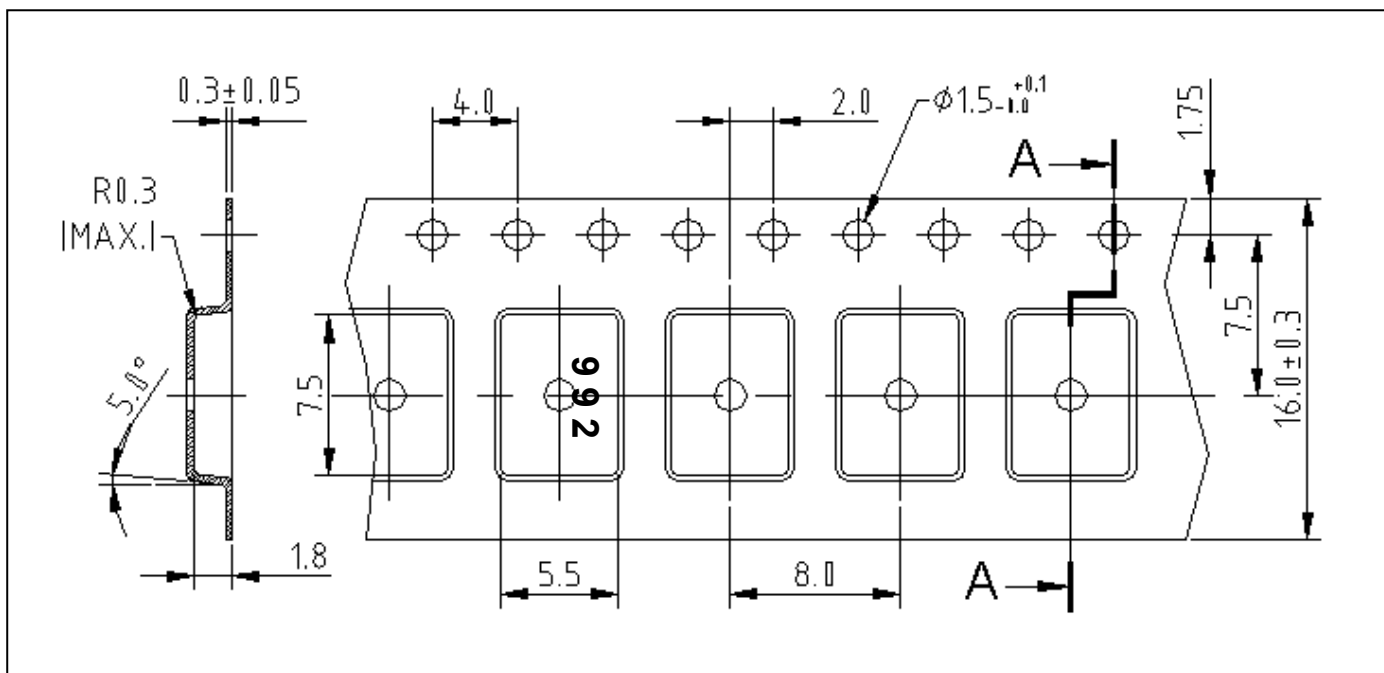


G. PACKING:

1. REEL DIMENSION



2. TAPE DIMENSION



H. RECOMMENDED REFLOW PROFILE :

