

A. MAXIMUM RATING:

1. Input Power Level: 10 dBm
2. DC voltage: 10 V
3. Operating Temperature: -30°C to +85°C
4. Storage Temperature: -30°C to +85°C

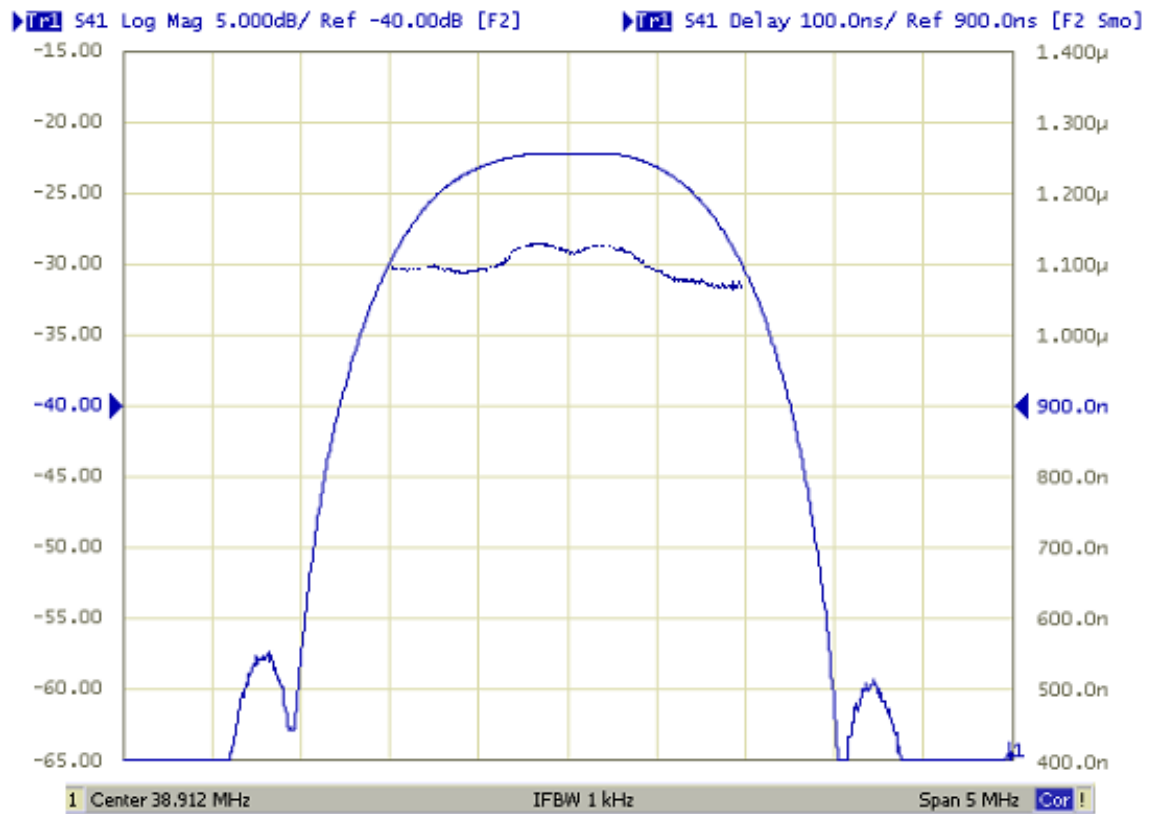
RoHS Compliant
Lead free
Lead-free soldering

B. ELECTRICAL CHARACTERISTICS:

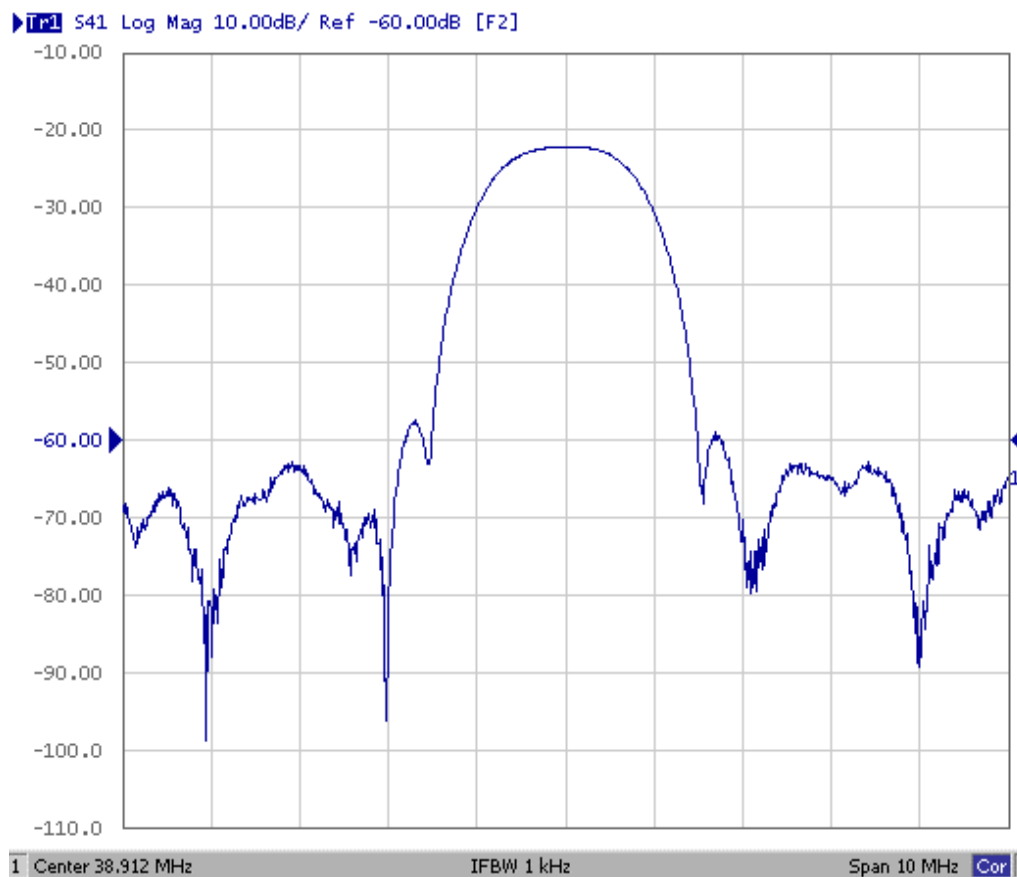
Item	Min.	Typ.	Max.	Note
Center frequency F_c (MHz)	38.812	38.912	39.012	
Insertion Loss (dB) IL_{min}	-	22.5	25.0	
Pass bandwidth (relative to IL_{min}) BW_3 (MHz)	1.40	1.50	-	
Pass bandwidth (relative to IL_{min}) BW_{30} (MHz)	-	2.85	3.00	
Attenuation:(relative to IL_{min}) (dB)				
30.00~36.26 MHz (dB)	35.0	40.0	-	
36.26~37.30 MHz (dB)	33.0	37.0	-	
40.60~41.40 MHz (dB)	35.0	40.0	-	
41.40~50.00 MHz (dB)	35.0	38.0	-	
Group Delay Variation:				
38.16~39.66 MHz (nsp-p)	-	80	200	
Temperature coefficient (ppm/K)	-	-20	-	

C. FREQUENCY CHARACTERISTICS:

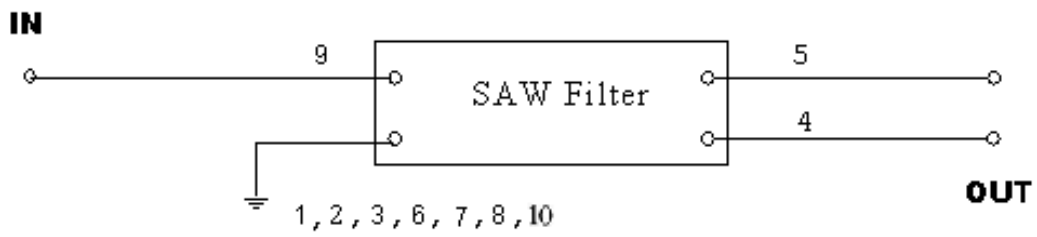
1. Group delay:



2. S21 Response:

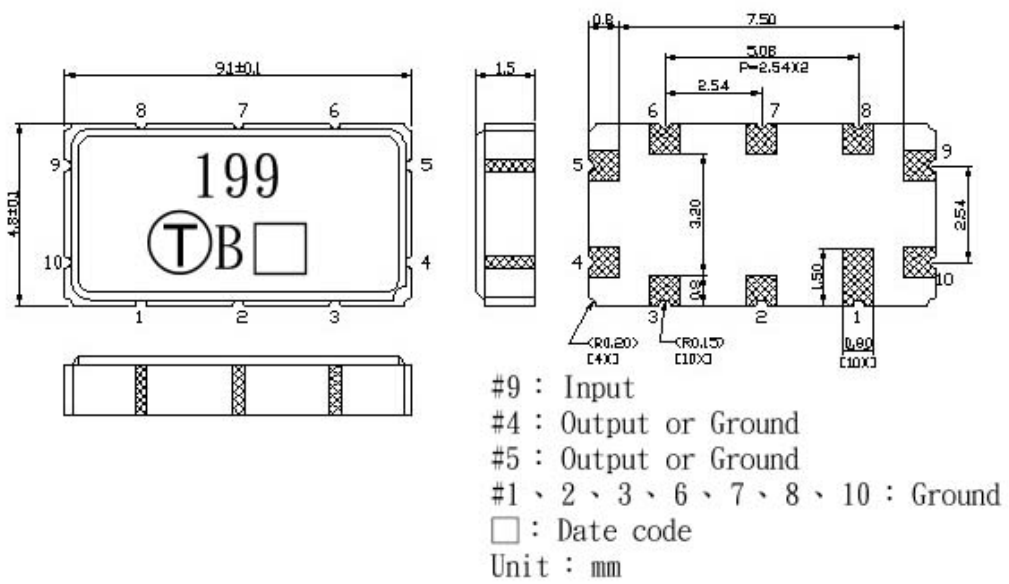


D. MEASUREMENT CIRCUIT:

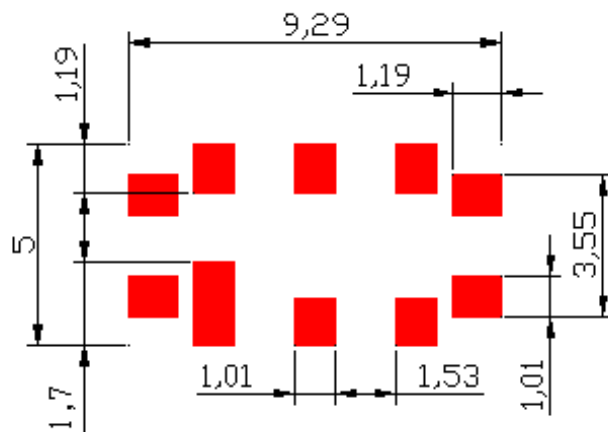


In/out Impedance = $50\Omega / 50\Omega$

E. OUTLINE DRAWING:

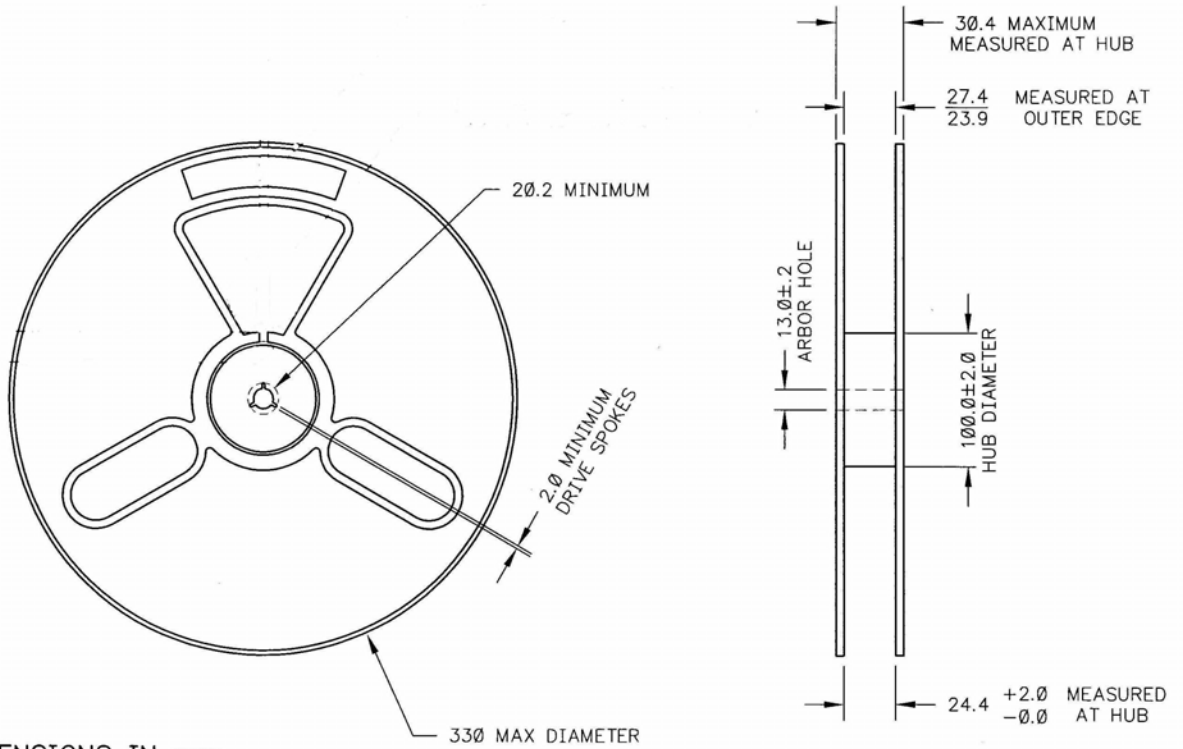


F. PCB FootPrint



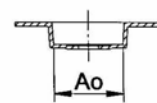
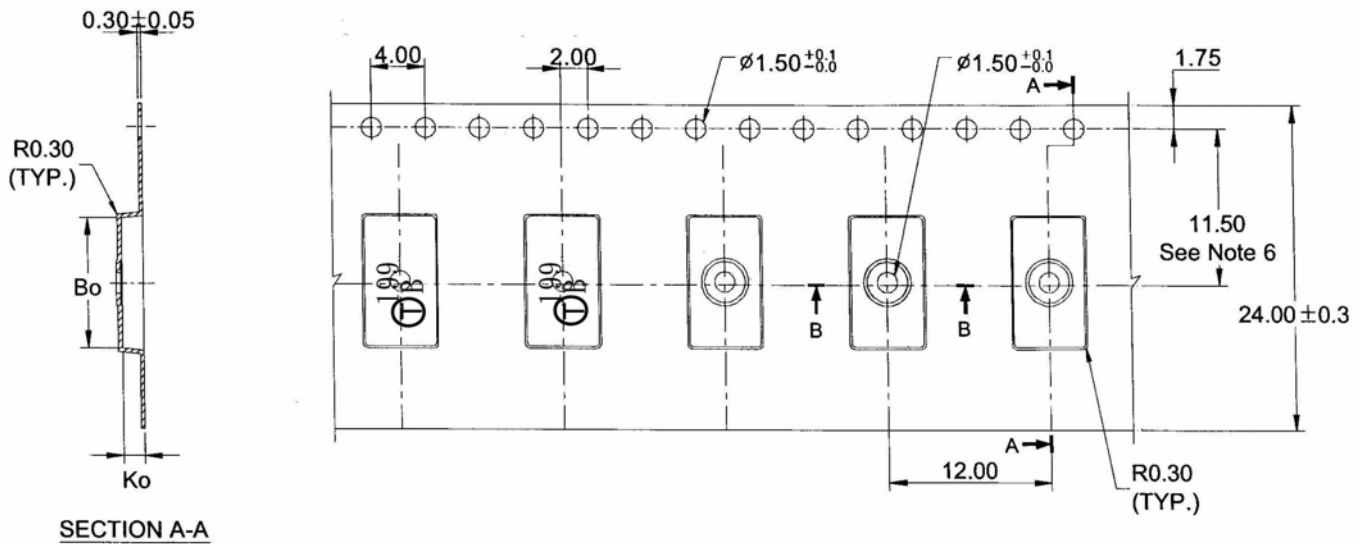
G. PACKING:

1. REEL DIMENSION



ALL DIMENSIONS IN mm

2. TAPE DIMENSION



SECTION B-B

Ao= 5.30mm
Bo= 9.60mm
Ko= 1.60mm