

SAW Filter 400 MHz

A. MAXIMUM RATING:

1. Input Power Level: 15 dBm
2. DC Voltage : 3V
3. Operating Temperature: -40°C to +85°C
4. Storage Temperature: -40°C to +85°C

RoHS Compliant
Lead free
Lead-free soldering

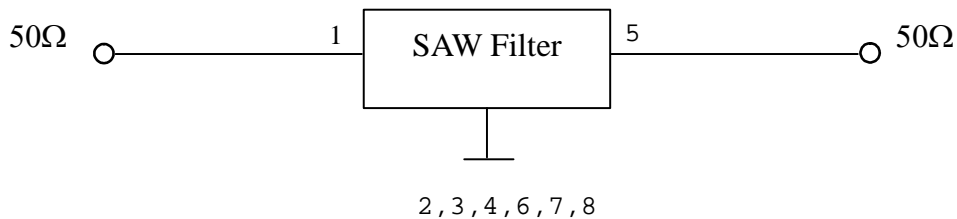
Electrostatic Sensitive Device (ESD)

B. ELECTRICAL CHARACTERISTICS:

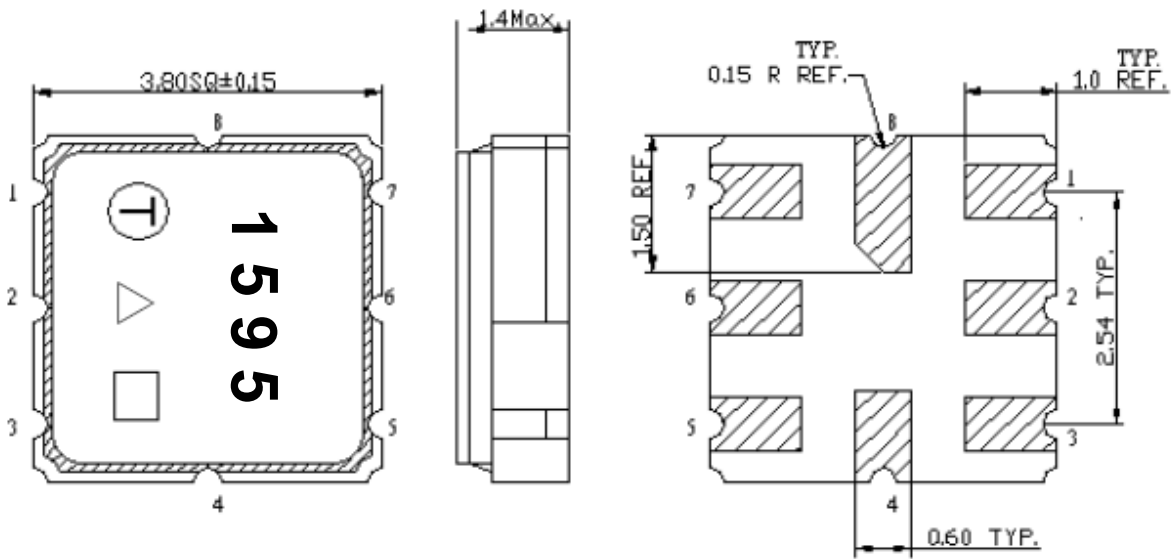
Item	Unit	Min.	Typ.	Max.
Center Frequency Fc	MHz	-	400	-
Insertion loss (398~402 MHz)	IL dB	-	2.0	4.5
Amplitude ripple (398~402 MHz)	dB	-	0.5	2.0
Return loss (399.5~400.5 MHz)	-	9	12	-
Attenuation (Reference level from 0 dB)				
10 ~ 370 MHz	dB	45	55	-
430 ~ 1000 MHz	dB	40	44	-
Temperature coefficient of frequency	ppm/k	-	-36	-

C. MEASUREMENT CIRCUIT:

HP Network analyzer



D. OUTLINE DRAWING:



- 1 : Input**
 - 5 : Output**
 - 2, 3, 4, 6, 7, 8 : Ground**
 - : Year Code**
 - : Date Code**
- Unit: mm**

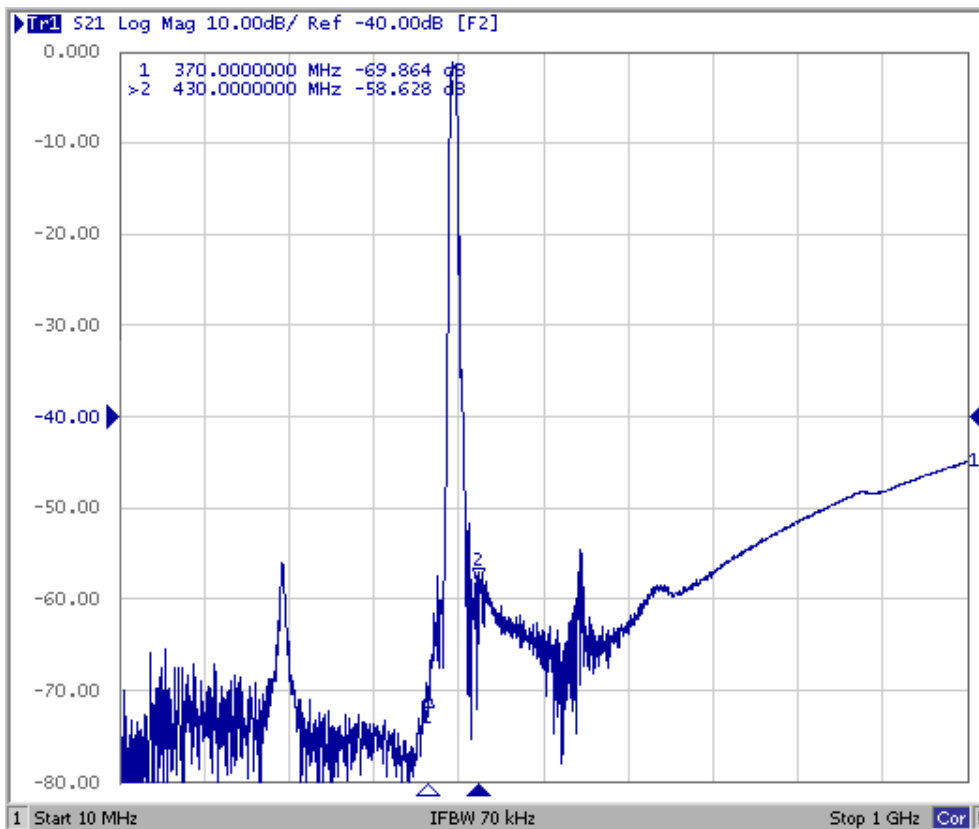
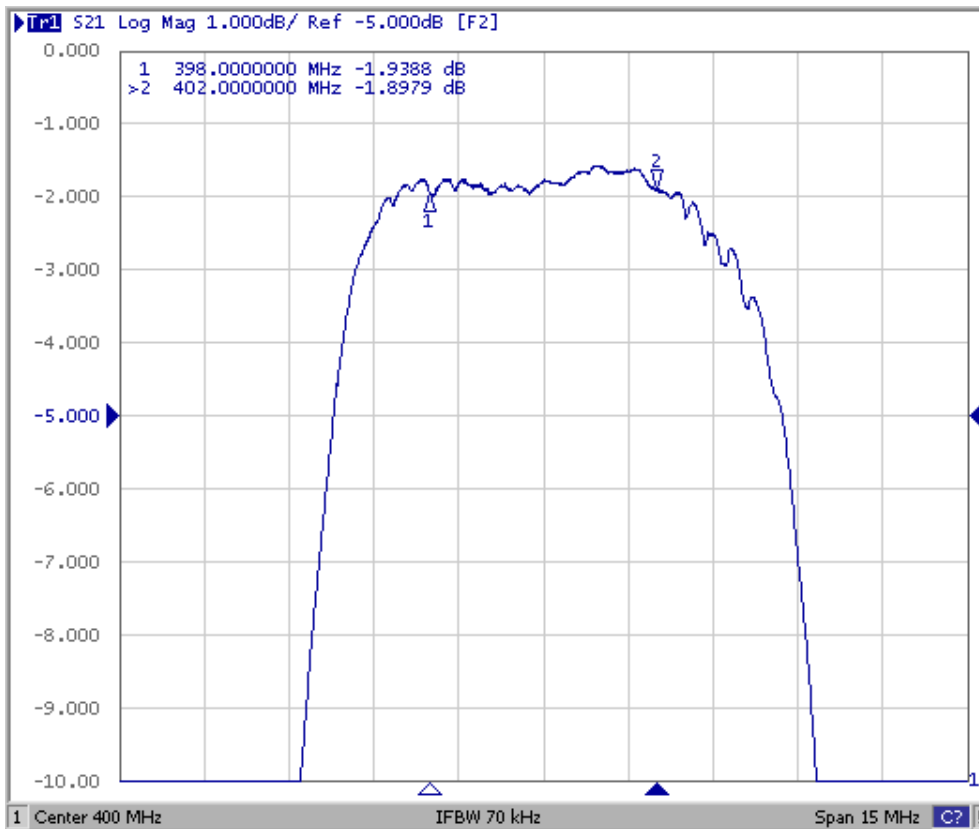
△ Product Year Code

Year	2011	2012
	2013	2014
	2015	2016
	2017	2018
	2019	2020
Product Code	A	a

Date Code Table:

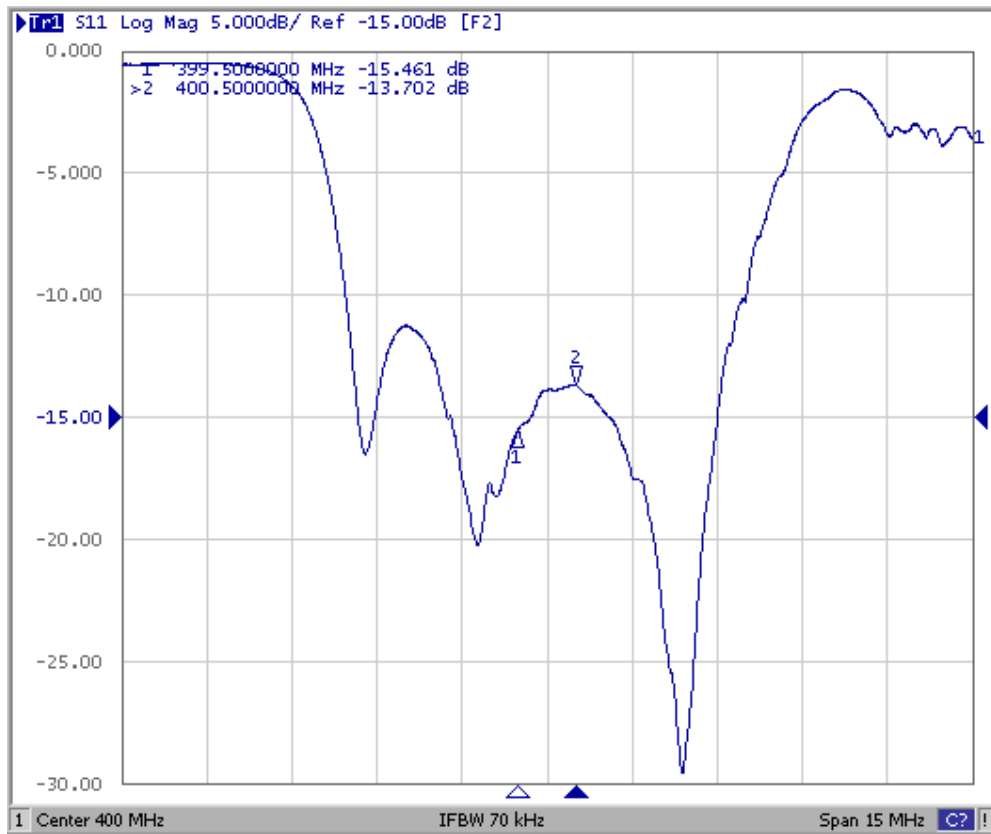
WK01	WK02	WK03	WK04	WK05	WK06	WK07	WK08	WK09	WK10	WK11	WK12	WK13
A	B	C	D	E	F	G	H	I	J	K	L	M
WK14	WK15	WK16	WK17	WK18	WK19	WK20	WK21	WK22	WK23	WK24	WK25	WK26
N	O	P	Q	R	S	T	U	V	W	X	Y	Z
WK27	WK28	WK29	WK30	WK31	WK32	WK33	WK34	WK35	WK36	WK37	WK38	WK39
a	b	c	d	e	f	g	h	i	j	k	l	m
WK40	WK41	WK42	WK43	WK44	WK45	WK46	WK47	WK48	WK49	WK50	WK51	WK52
n	o	p	q	r	s	t	u	v	w	x	y	z

F. Frequency Characteristics:

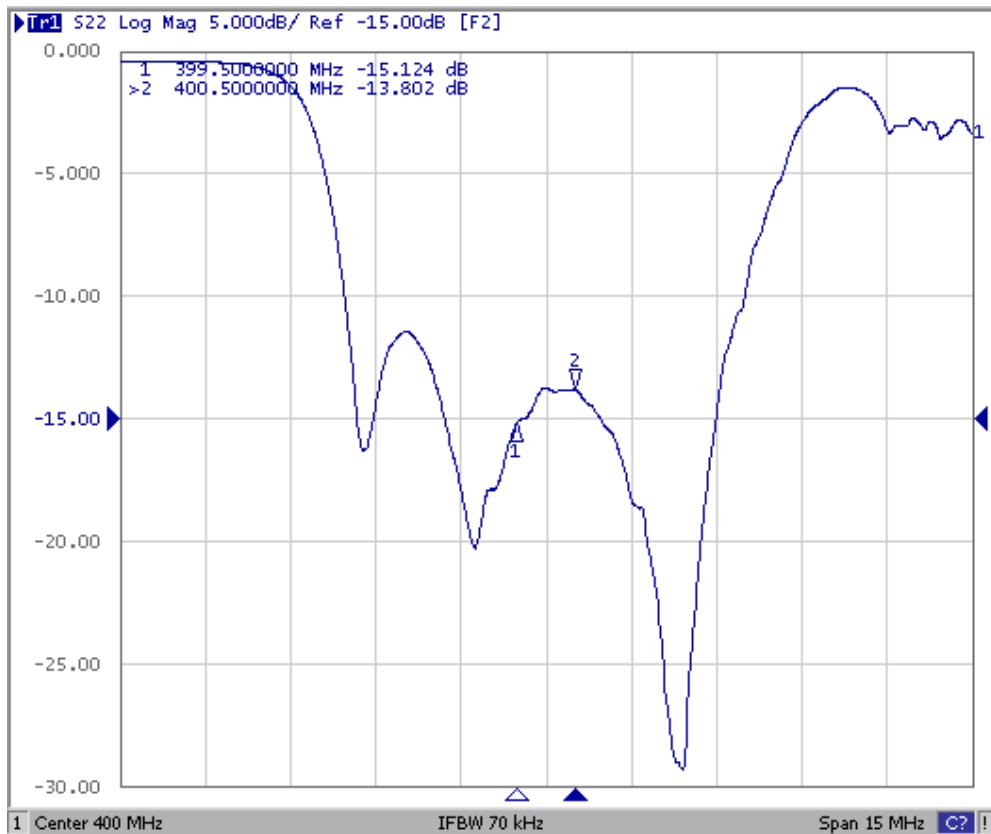


Reflection Functions:

S11



S22



H. RECOMMENDED REFLOW PROFILE:

