

# Bandpass SAW filter ФТКП-9

## TV channel filter

### The basic electrical parameters

#### Application:

- for CATV
- for TV-broadcasting equipment

#### The mode of measurement:

- $t=25\text{ }^{\circ}\text{C}$
- $R_l=R_s=75\text{ Ohm}$

#### Type of package:

F-met.-F

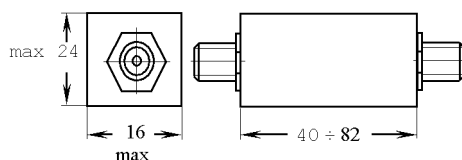
SIP 6M

#### Pin configuration:

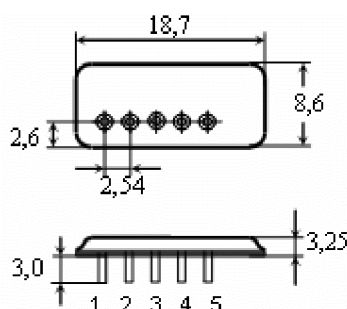
- 1 – input;
- 5 – output;
- 2 – input-ground
- 3 – ground
- 4 – output-ground

Parameter	Unit of meas..	Meaning typ
Nominal frequency	MHz	202
Minimum insertion attenuation, not more than	dB	3,5
3- dB bandwidth, not less than	MHz	8
Relative attenuation ( relative to the low channel border) , not less than	dB	
-8 MHz		40
-16 MHz		40
-24 MHz		40
Relative attenuation ( relative to the top channel border), not less than	dB	
+8 MHz		35
+16 MHz		40
+24 MHz		40

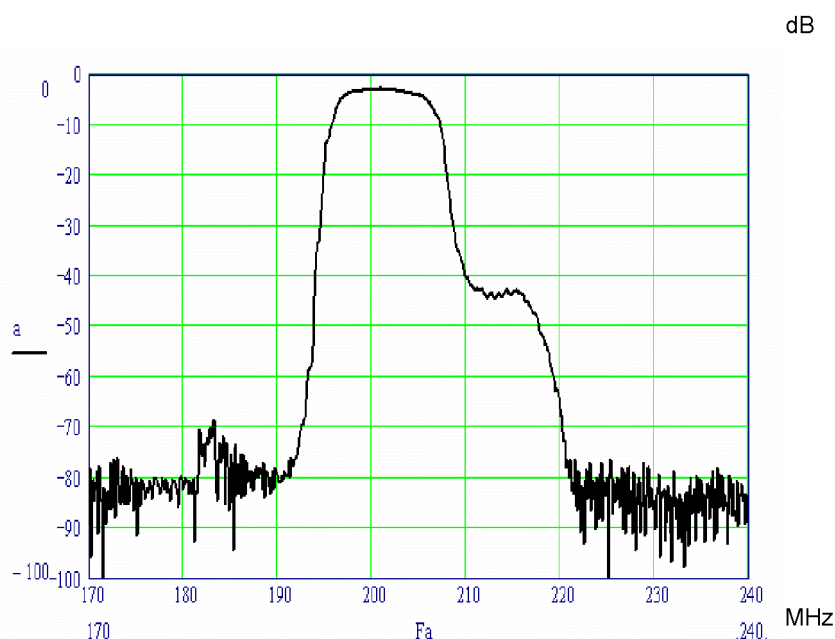
#### F-met.-F



#### SIP 6M



#### Amplitude-frequency response



**Manufacturer: BUTIS, Ltd.,**  
**Vereyskaya St. 29, Moscow, 121357 Russia**  
**Tel/fax (495) 411-96-08, 411-96-09**  
**E-Mail: Butis.M@ru.net**