

# SAW Filter ФТКП-49

## television channel filter

### Main Electrical Parameters

#### Application:

- broadcasting, retranslating and receiving equipments
- for antenna and cable television

#### Measuring conditions:

- $t=25\text{ }^{\circ}\text{C}$
- $R_{\text{source}}=R_{\text{load}}=75\ \Omega$

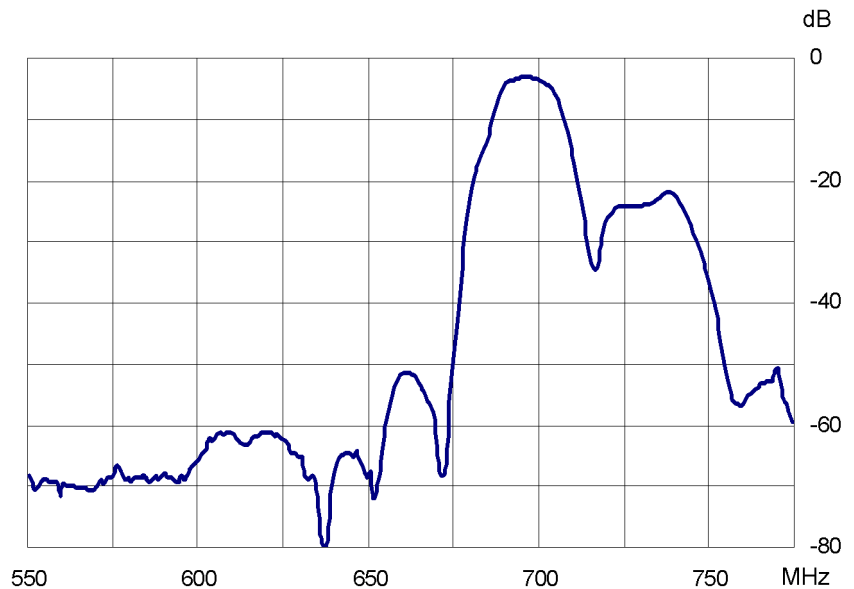
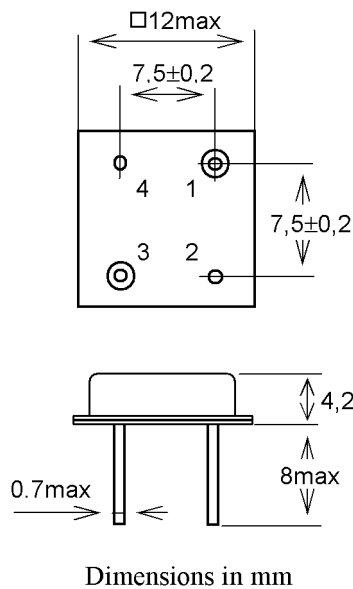
#### Metal package: DIP 4K

#### Pin configuration:

- 1 – input
- 3 – output
- 2,4 – ground

Parameter	Unit	Typ. value
Nominal frequency	MHz	698
Insertion loss	dB	4,0
3 dB bandwidth	MHz	8
Attenuation, reference at 694 MHz	dB	-8 MHz
-16 MHz		12
-24 MHz		30
Attenuation, reference at 702 MHz	dB	+8 MHz
+16 MHz		12
+24 MHz		20
Temperature coefficient of frequency	ppm	-70

### Frequency Response



#### Manufacturer: "BUTIS" Ltd.

121357, Russia, Moscow, Vereyskaya , 29  
Tel/fax (495) 411-96-08; 411-96-09

